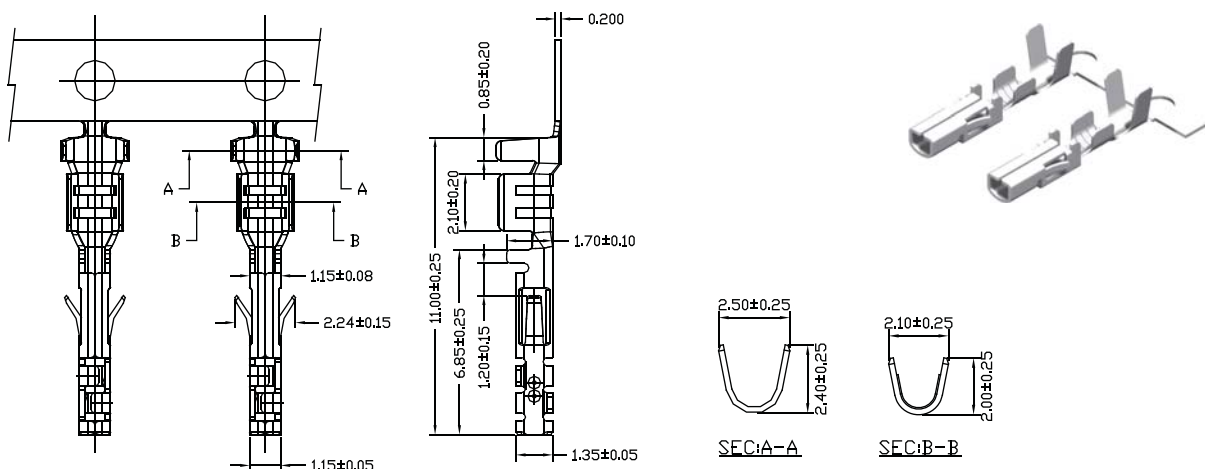


3.0mm Female Terminal / Male Housing



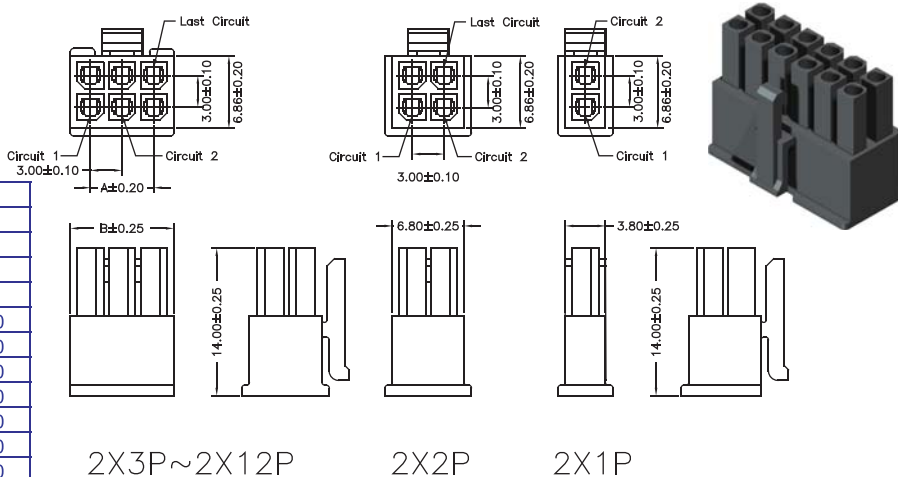
| Wire Range | Insulation O.D. | Material | Finish |
|------------|-----------------|-----------------|------------|
| AWG#20-#24 | 1.85mm(max) | Phosphor Bronze | Tin Plated |

Part No.:3000-FT-L

Specifications

Current Rating: 5A AC,DC
 Voltage Rating: 250V AC,DC
 Temperature Range: -25°C to +85°C
 Contact Resistance: 10mΩ Max
 Insulation Resistance: 1000MΩ Min
 Withstanding Voltage: 1500V AC/minute
 Material: Nylon 66,UL94V-2

| Part No. | Dimensions | |
|---------------|------------|-------|
| | A | B |
| 3000H-M201B-L | — | 3.80 |
| 3000H-M202B-L | 3.00 | 6.80 |
| 3000H-M203B-L | 6.00 | 9.80 |
| 3000H-M204B-L | 9.00 | 12.80 |
| 3000H-M205B-L | 12.00 | 15.80 |
| 3000H-M206B-L | 15.00 | 18.80 |
| 3000H-M207B-L | 18.00 | 21.80 |
| 3000H-M208B-L | 21.00 | 24.80 |
| 3000H-M209B-L | 24.00 | 27.80 |
| 3000H-M210B-L | 27.00 | 30.80 |
| 3000H-M211B-L | 30.00 | 33.80 |
| 3000H-M212B-L | 33.00 | 36.80 |

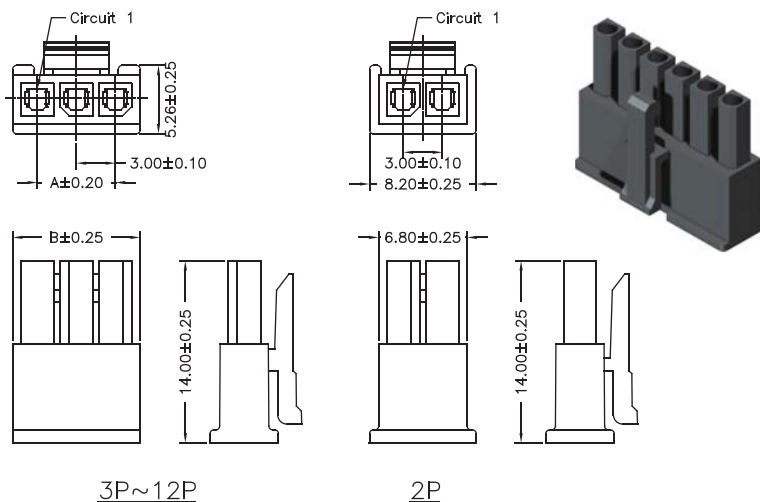


Part No.:3000H-M2XXB-L

Specifications

Current Rating: 5A AC,DC
 Voltage Rating: 250V AC,DC
 Temperature Range: -25°C to +85°C
 Contact Resistance: 10mΩ Max
 Insulation Resistance: 1000MΩ Min
 Withstanding Voltage: 1500V AC/minute
 Material: Nylon 66,UL94V-2

| Part No. | Dimensions | |
|---------------|------------|-------|
| | A | B |
| 3000H-M102B-L | 3.00 | 6.80 |
| 3000H-M103B-L | 6.00 | 9.80 |
| 3000H-M104B-L | 9.00 | 12.80 |
| 3000H-M105B-L | 12.00 | 15.80 |
| 3000H-M106B-L | 15.00 | 18.80 |
| 3000H-M107B-L | 18.00 | 21.80 |
| 3000H-M108B-L | 21.00 | 24.80 |
| 3000H-M109B-L | 24.00 | 27.80 |
| 3000H-M110B-L | 27.00 | 30.80 |
| 3000H-M111B-L | 30.00 | 33.80 |
| 3000H-M112B-L | 33.00 | 36.80 |



Part No.:3000H-M1XXB-L